

# 11mm Snap-in Insulated Potentiometers

(11 型嵌入式塑膠軸旋轉電位器)

**RK1108G**



## Part Number

**RK1108G - B 50K , L- 20 F /H=10**

Taper  
線性

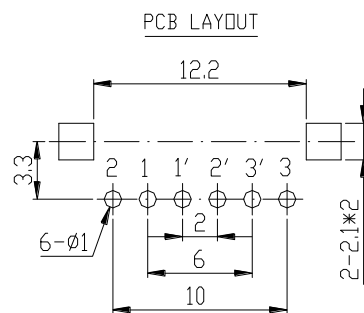
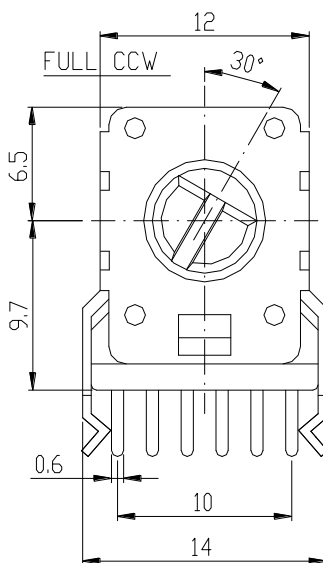
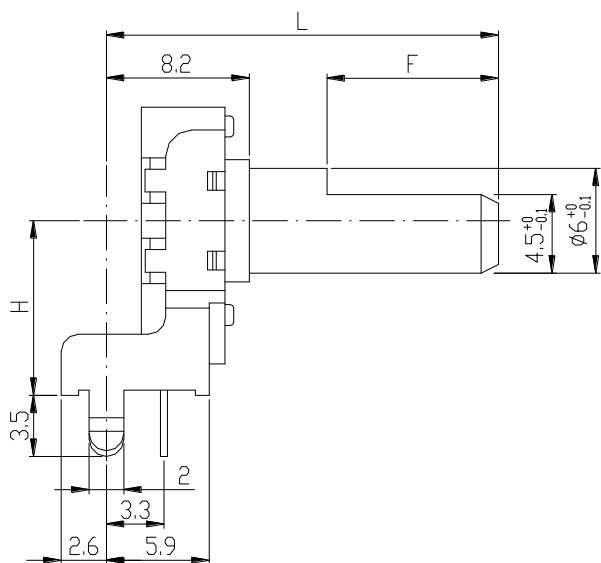
Resistance value  
阻值

Shaft Length  
軸長

Shaft Type  
軸型

High  
高度

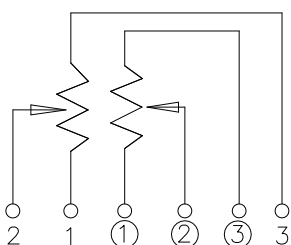
## Dimensions 規格尺寸



<b>H</b>	<b>10</b>	<b>12.5</b>
----------	-----------	-------------

## Circuit Explanation 電路說明

Dual 雙聯



# 11mm Snap-in Insulated Potentiometers

## (11 型炭入式塑膠軸旋轉電位器)

### Shaft Type 軸型

KC Type						
<b>L</b>	<b>12.5</b>	<b>15</b>	<b>17.5</b>	<b>20</b>	<b>22.5</b>	<b>25</b>
<b>A</b>	<b>7</b>	<b>7</b>	<b>12</b>	<b>12</b>	<b>12</b>	<b>12</b>

F Type						
<b>L</b>	<b>12.5</b>	<b>15</b>	<b>17.5</b>	<b>20</b>	<b>22.5</b>	<b>25</b>
<b>F</b>	<b>7</b>	<b>7</b>	<b>12</b>	<b>12</b>	<b>12</b>	<b>12</b>

# 11mm Snap-in Insulated Potentiometers

## (11 型嵌入式塑膠軸旋轉電位器)

### General 一般事項

使用溫度範圍 Operating temperature	-10 °C ~ +70 °C
手工焊接 Manual soldering	300 °C Max 3sec

### Electrical Characteristics 電氣特性

總阻值(R) Total resistance	5KΩ ~ 500KΩ
總阻值容許誤差 Resistance tolerance	±20%
阻值線性 Resistance taper	A B C
摺動雜音 Sliding noise	Less than 80 mV
殘留阻值 Residual resistance	Term. 1~2 :Less than 20Ω Term. 2~3 :Less than 40Ω
絕緣阻抗 Insulation resistance	More than 100MΩ at DC 250V
定格電力 Rated power(W)	0.05W
最高使用電壓 Max. Operating voltage	AC 30V (for AC only)
耐電壓 Withstand voltage	1 Minute at AC 300 V
相互偏差 Gang error	Linear (B) taper : 0 ~ -20dB ≤ 2 dB A/C Other tapers : 0 ~ -40dB ≤ 3 dB

### Mechanical Characteristics 機械特性

全回轉角度 Total rotational angle	300° ± 5°
全回轉扭力 Rotational torque	30 ~ 200 gf.cm
軸推拉強度 Shaft push-pull strength	6Kgf. Max
全回轉止強度 Rotational stopper strength	3Kgf.cm Min
迴轉壽命 Rotational life	15,000 Cycles.

# 11mm Snap-in Insulated Potentiometers

(11 型嵌入式塑膠軸旋轉電位器)

**RK1109G**



## Part Number

**RK1109G – B 50K , L- 20 F**

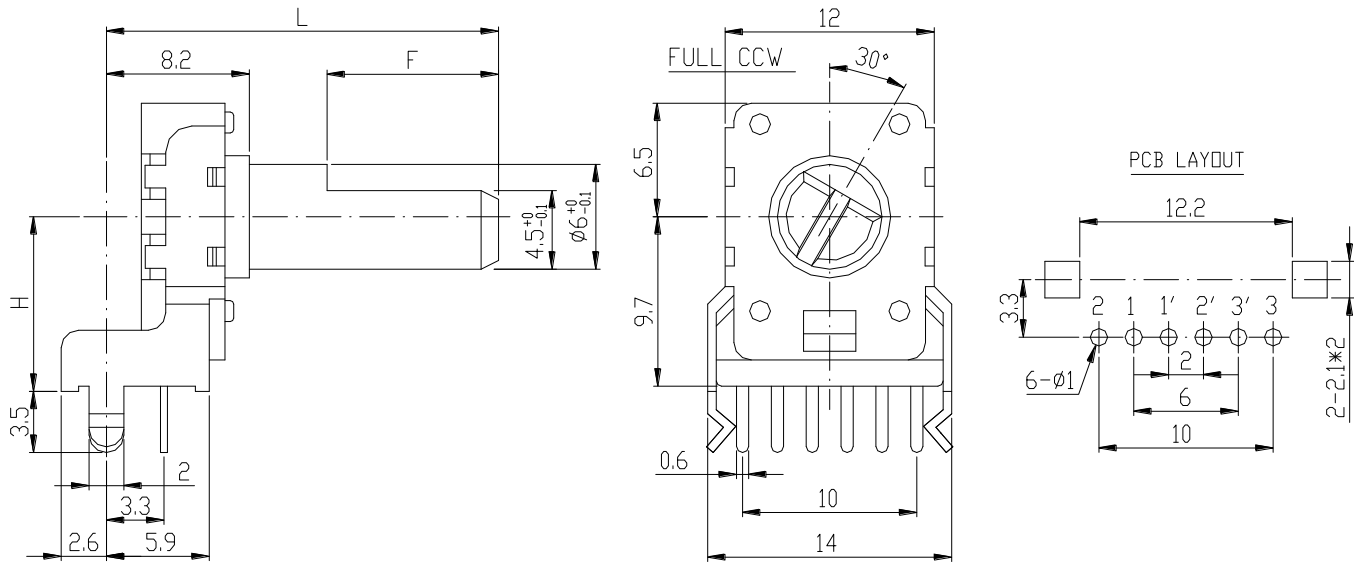
Taper  
線性

Resistance value  
阻值

Shaft Length  
軸長

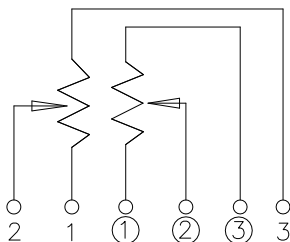
Shaft Type  
軸型

## Dimensions 規格尺寸



## Circuit Explanation 電路說明

Dual 雙聯



# 11mm Snap-in Insulated Potentiometers (11 型嵌入式塑膠軸旋轉電位器)

## Shaft Type 軸型

KC Type						
<b>L</b>	12.5	15	17.5	20	22.5	25
<b>A</b>	7	7	12	12	12	12

F Type						
<b>L</b>	12.5	15	17.5	20	22.5	25
<b>F</b>	7	7	12	12	12	12

# 11mm Snap-in Insulated Potentiometers

## (11 型炭入式塑膠軸旋轉電位器)

### General 一般事項

使用溫度範圍 Operating temperature	-10 °C ~ +70 °C
手工焊接 Manual soldering	300 °C Max 3sec

### Electrical Characteristics 電氣特性

總阻值(R) Total resistance	5KΩ ~ 500KΩ
總阻值容許誤差 Resistance tolerance	±20%
阻值線性 Resistance taper	A B C
摺動雜音 Sliding noise	Less than 80 mV
殘留阻值 Residual resistance	Term. 1~2 :Less than 20Ω Term. 2~3 :Less than 40Ω
絕緣阻抗 Insulation resistance	More than 100MΩ at DC 250V
定格電力 Rated power(W)	0.05W
最高使用電壓 Max. Operating voltage	AC 30V (for AC only)
耐電壓 Withstand voltage	1 Minute at AC 300 V
相互偏差 Gang error	Linear (B) taper : 0 ~ -20dB ≤ 2 dB A/C Other tapers : 0 ~ -40dB ≤ 3 dB

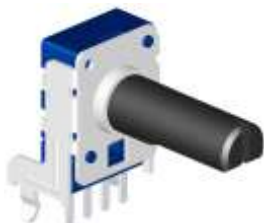
### Mechanical Characteristics 機械特性

全回轉角度 Total rotational angle	300° ± 5°
全回轉扭力 Rotational torque	30 ~ 200 gf.cm
軸推拉強度 Shaft push-pull strength	6Kgf. Max
全回轉止強度 Rotational stopper strength	3Kgf.cm Min
迴轉壽命 Rotational life	15,000 Cycles.

# 11mm Snap-in Insulated Potentiometers

(11 型嵌入式塑膠軸旋轉電位器)

**RK111N**



## Part Number

**RK111N - B 50K , L- 20 F /H=10**

Taper  
線性

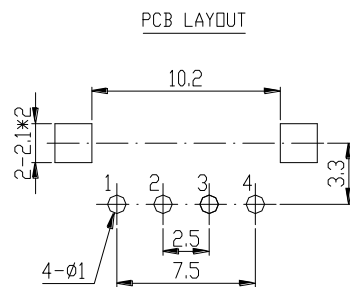
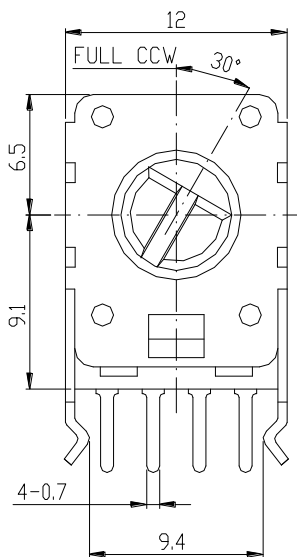
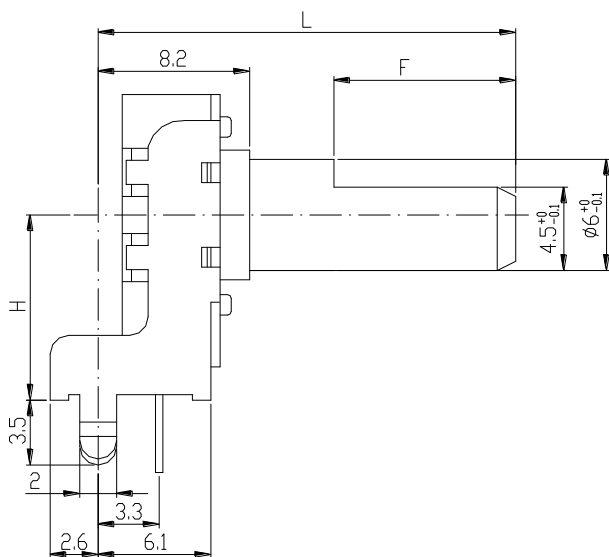
Resistance value  
阻值

Shaft Length  
軸長

Shaft Type  
軸型

High  
高度

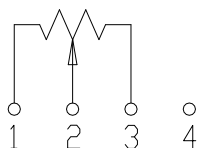
## Dimensions 規格尺寸



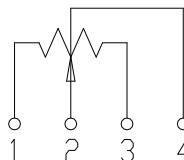
<b>H</b>	<b>10</b>	<b>12.5</b>
----------	-----------	-------------

## Circuit Explanation 電路說明

**Single Standard (單聯標準型)**



**Single Center TAP (單聯中心抽頭)**



# 11mm Snap-in Insulated Potentiometers (11 型嵌入式塑膠軸旋轉電位器)

## Shaft Type 軸型

KC Type							
<b>L</b>	15	20	22.5	25	27.5	30	32.5
<b>A</b>	4.5	7	12	12	12	12	12

F Type							
<b>Only L=15F</b>							
<b>Others</b>							
<b>L</b>	15	20	22.5	25	27.5	30	32.5
<b>F</b>	4.5	7	7	12	12	12	12



# 11mm Snap-in Insulated Potentiometers

## (11 型嵌入式塑膠軸旋轉電位器)

### General 一般事項

使用溫度範圍 Operating temperature	-10 °C ~ +70 °C
手工焊接 Manual soldering	300 °C Max 3sec

### Electrical Characteristics 電氣特性

總阻值(R) Total resistance	5KΩ ~ 500KΩ
總阻值容許誤差 Resistance tolerance	±20%
阻值線性 Resistance taper	A B C
摺動雜音 Sliding noise	Less than 80 mV
殘留阻值 Residual resistance	Term. 1~2 :Less than 20Ω Term. 2~3 :Less than 40Ω
絕緣阻抗 Insulation resistance	More than 100MΩ at DC 500V
定格電力 Rated power(W)	0.05W
最高使用電壓 Max. Operating voltage	AC 50V / DC 20V
耐電壓 Withstand voltage	1 Minute at AC 250 V

### Mechanical Characteristics 機械特性

全回轉角度 Total rotational angle	300° ± 5°
全回轉扭力 Rotational torque	30 ~ 200 gf.cm
軸推拉強度 Shaft push-pull strength	5Kgf. Max
全回轉止強度 Rotational stopper strength	3Kgf.cm Min
迴轉壽命 Rotational life	15,000 Cycles.

# 11mm Snap-in Insulated Potentiometers

(11 型嵌入式塑膠軸旋轉電位器)

**RK112N**



## Part Number

**RK112N – B 50K , L- 20 F**

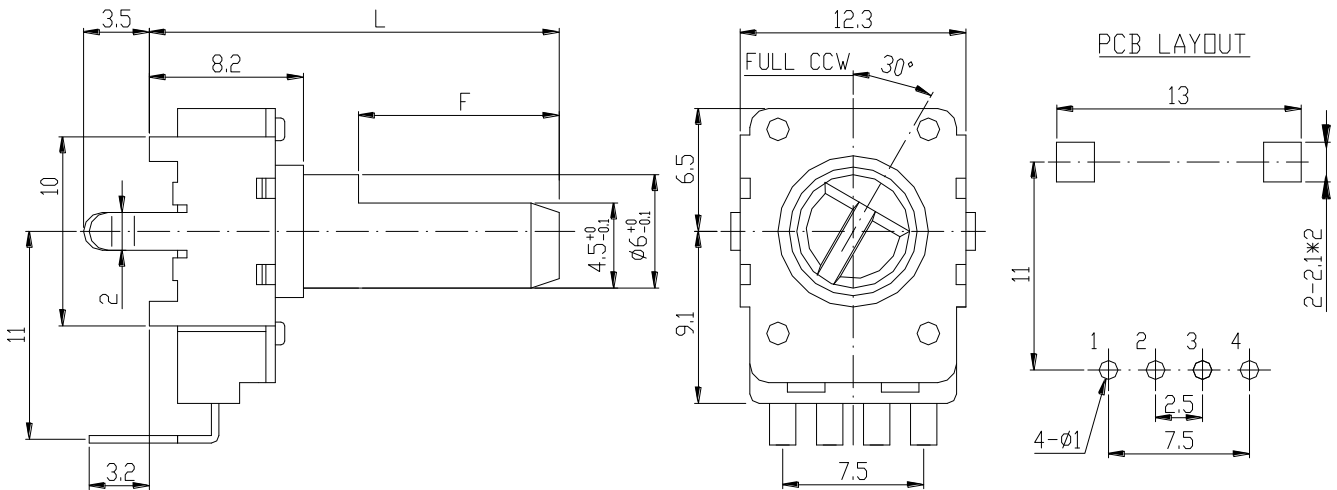
Taper  
線性

Resistance value  
阻值

Shaft Length  
軸長

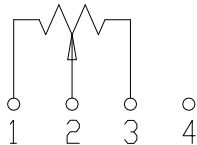
Shaft Type  
軸型

## Dimensions 規格尺寸

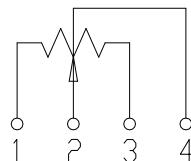


## Circuit Explanation 電路說明

Single Standard (單聯標準型)



Single Center TAP (單聯中心抽頭)



# 11mm Snap-in Insulated Potentiometers (11 型嵌入式塑膠軸旋轉電位器)

Shaft Type 軸型

KC Type							
L	15	20	22.5	25	27.5	30	32.5
A	4.5	7	12	12	12	12	12

F Type							
<p>Only L=15F</p>							
<p>Others</p>							
L	15	20	22.5	25	27.5	30	32.5
F	4.5	7	7	12	12	12	12

# 11mm Snap-in Insulated Potentiometers

## (11 型嵌入式塑膠軸旋轉電位器)

### General 一般事項

使用溫度範圍 Operating temperature	-10 °C ~ +70 °C
手工焊接 Manual soldering	300 °C Max 3sec

### Electrical Characteristics 電氣特性

總阻值(R) Total resistance	5KΩ ~ 500KΩ
總阻值容許誤差 Resistance tolerance	±20%
阻值線性 Resistance taper	A B C
摺動雜音 Sliding noise	Less than 80 mV
殘留阻值 Residual resistance	Term. 1~2 :Less than 20Ω Term. 2~3 :Less than 40Ω
絕緣阻抗 Insulation resistance	More than 100MΩ at DC 500V
定格電力 Rated power(W)	0.05W
最高使用電壓 Max. Operating voltage	AC 50V / DC 20V
耐電壓 Withstand voltage	1 Minute at AC 250 V

### Mechanical Characteristics 機械特性

全回轉角度 Total rotational angle	300° ± 5°
全回轉扭力 Rotational torque	30 ~ 200 gf.cm
軸推拉強度 Shaft push-pull strength	5Kgf. Max
全回轉止強度 Rotational stopper strength	3Kgf.cm Min
迴轉壽命 Rotational life	15,000 Cycles.

# 11mm Snap-in Insulated Potentiometers

(11 型 嵌入式塑膠軸旋轉電位器)

**RK1113N**



## Part Number

**RK1113N - B 50K , L- 20 F / H=10**

Taper  
線性

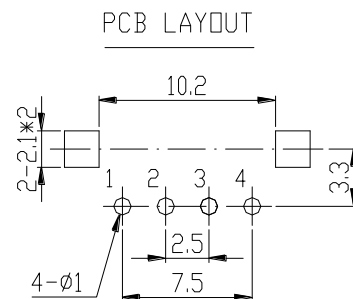
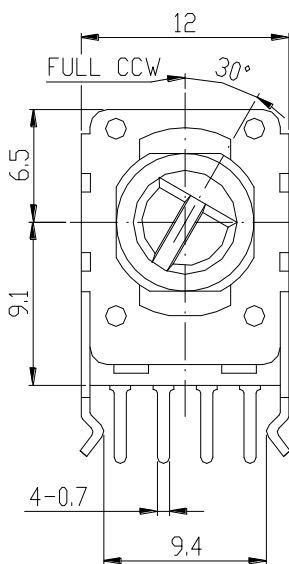
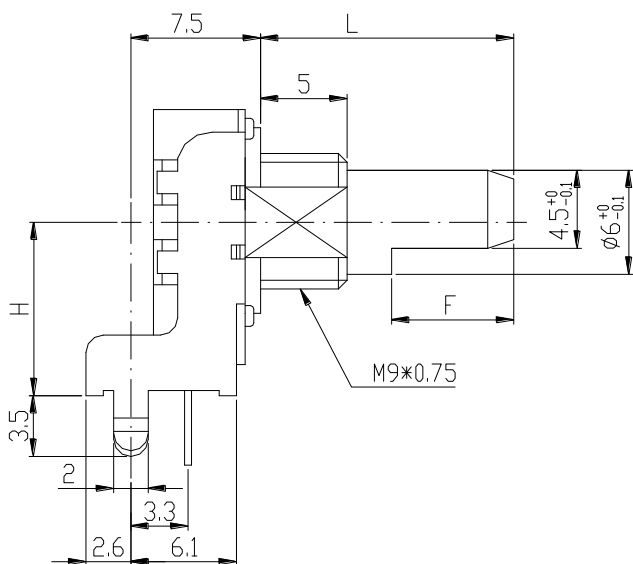
Resistance value  
阻值

Shaft Length  
軸長

Shaft Type  
軸型

High  
高度

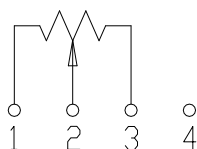
## Dimensions 規格尺寸



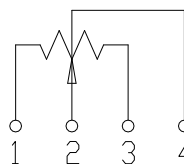
<b>H</b>	<b>10</b>	<b>12.5</b>
----------	-----------	-------------

## Circuit Explanation 電路說明

**Single Standard (單聯標準型)**



**Single Center TAP (單聯中心抽頭)**



# 11mm Snap-in Insulated Potentiometers (11 型嵌入式塑膠軸旋轉電位器)

## Shaft Type 軸型

KC Type						
<b>L</b>	12.5	15	17.5	20	22.5	25
<b>A</b>	7	7	12	12	12	12

F Type						
<b>L</b>	12.5	15	17.5	20	22.5	25
<b>F</b>	7	7	12	12	12	12

# 11mm Snap-in Insulated Potentiometers

## (11 型嵌入式塑膠軸旋轉電位器)

### General 一般事項

使用溫度範圍 Operating temperature	-10 °C ~ +70 °C
手工焊接 Manual soldering	300 °C Max 3sec

### Electrical Characteristics 電氣特性

總阻值(R) Total resistance	5KΩ ~ 500KΩ
總阻值容許誤差 Resistance tolerance	±20%
阻值線性 Resistance taper	A B C
摺動雜音 Sliding noise	Less than 80 mV
殘留阻值 Residual resistance	Term. 1~2 :Less than 20Ω Term. 2~3 :Less than 40Ω
絕緣阻抗 Insulation resistance	More than 100MΩ at DC 500V
定格電力 Rated power(W)	0.05W
最高使用電壓 Max. Operating voltage	AC 50V / DC 20V
耐電壓 Withstand voltage	1 Minute at AC 250 V

### Mechanical Characteristics 機械特性

全回轉角度 Total rotational angle	300° ± 5°
全回轉扭力 Rotational torque	30 ~ 200 gf.cm
軸推拉強度 Shaft push-pull strength	6Kgf. Max
全回轉止強度 Rotational stopper strength	3Kgf.cm Min
迴轉壽命 Rotational life	15,000 Cycles.

# 11mm Snap-in Insulated Potentiometers (11 型嵌入式塑膠軸旋轉電位器)

**RK114N**



## Part Number

**RK114N - B 50K , L- 20 F**

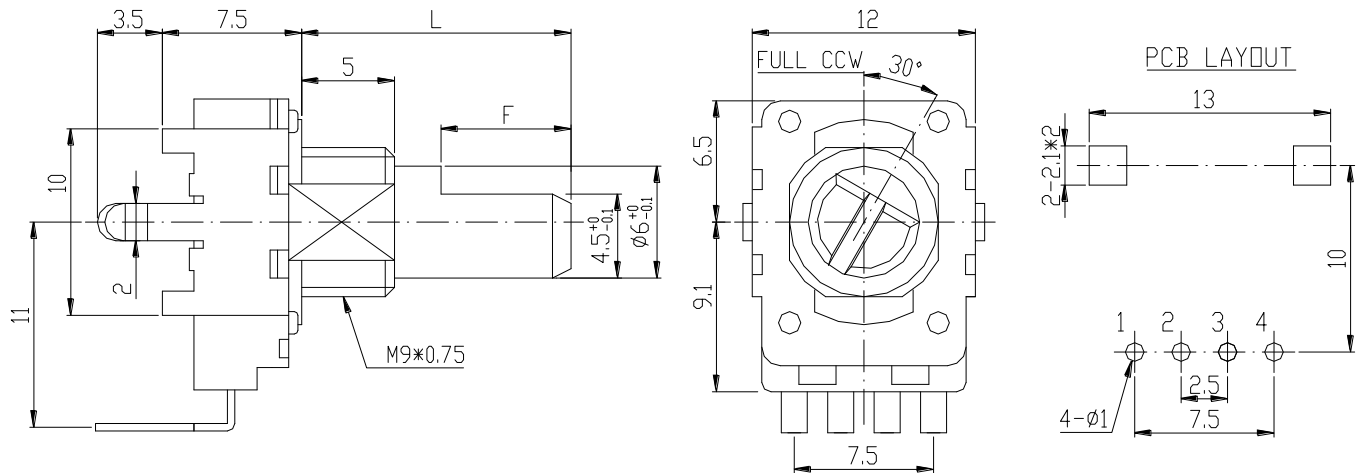
Taper  
線性

Resistance value  
阻值

Shaft Length  
軸長

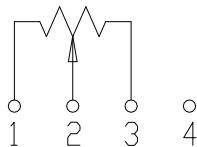
Shaft Type  
軸型

## Dimensions 規格尺寸

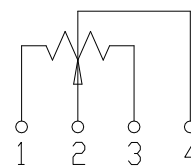


## Circuit Explanation 電路說明

**Single Standard (單聯標準型)**



**Single Center TAP (單聯中心抽頭)**





# 11mm Snap-in Insulated Potentiometers (11 型嵌入式塑膠軸旋轉電位器)

## Shaft Type 軸型

KC Type						
<b>L</b>	<b>12.5</b>	<b>15</b>	<b>17.5</b>	<b>20</b>	<b>22.5</b>	<b>25</b>
<b>A</b>	<b>7</b>	<b>7</b>	<b>12</b>	<b>12</b>	<b>12</b>	<b>12</b>

F Type						
<b>L</b>	<b>12.5</b>	<b>15</b>	<b>17.5</b>	<b>20</b>	<b>22.5</b>	<b>25</b>
<b>F</b>	<b>7</b>	<b>7</b>	<b>12</b>	<b>12</b>	<b>12</b>	<b>12</b>

# 11mm Snap-in Insulated Potentiometers

## (11 型嵌入式塑膠軸旋轉電位器)

### General 一般事項

使用溫度範圍 Operating temperature	-10 °C ~ +70 °C
手工焊接 Manual soldering	300 °C Max 3sec

### Electrical Characteristics 電氣特性

總阻值(R) Total resistance	5KΩ ~ 500KΩ
總阻值容許誤差 Resistance tolerance	±20%
阻值線性 Resistance taper	A B C
摺動雜音 Sliding noise	Less than 80 mV
殘留阻值 Residual resistance	Term. 1~2 :Less than 20Ω Term. 2~3 :Less than 40Ω
絕緣阻抗 Insulation resistance	More than 100MΩ at DC 500V
定格電力 Rated power(W)	0.05W
最高使用電壓 Max. Operating voltage	AC 50V / DC 20V
耐電壓 Withstand voltage	1 Minute at AC 250 V

### Mechanical Characteristics 機械特性

全回轉角度 Total rotational angle	300° ± 5°
全回轉扭力 Rotational torque	30 ~ 200 gf.cm
軸推拉強度 Shaft push-pull strength	6Kgf. Max
全回轉止強度 Rotational stopper strength	3Kgf.cm Min
迴轉壽命 Rotational life	15,000 Cycles.