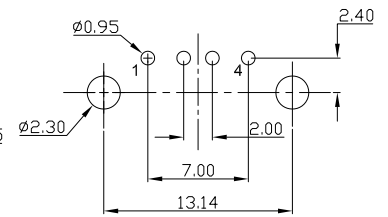
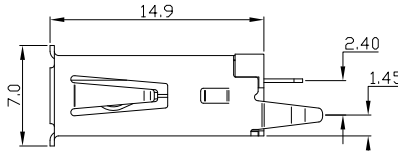
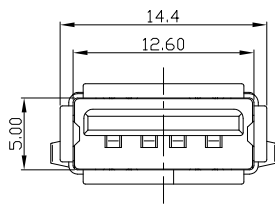


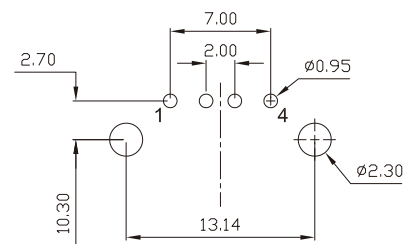
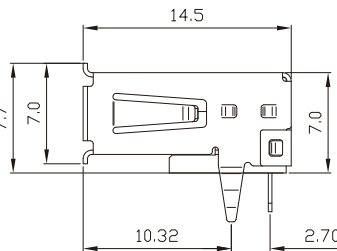
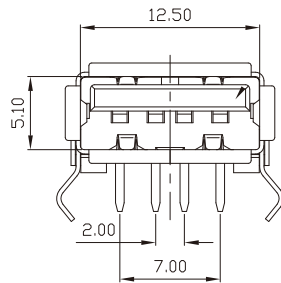
USB A Type

SUA-110P



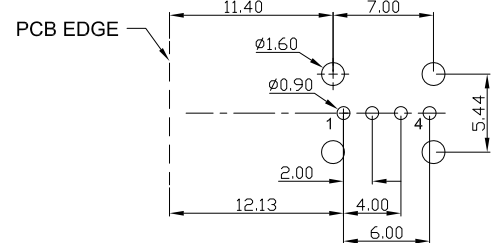
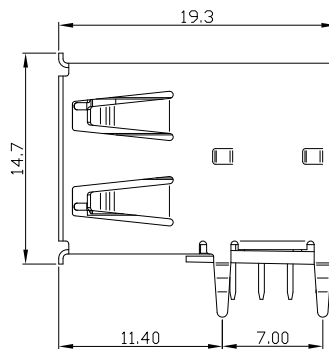
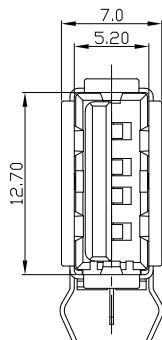
SUGGESTED PCB LAYOUT
TOP VIEW

SUA-110H



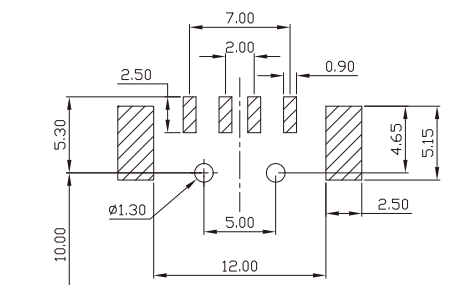
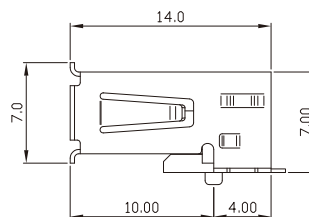
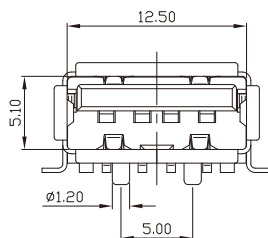
PCB EDGE
SUGGESTED PCB LAYOUT
TOP VIEW

SUA-110V



SUGGESTED PCB LAYOUT
TOP VIEW

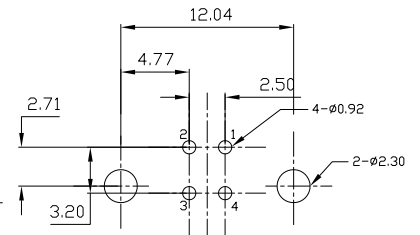
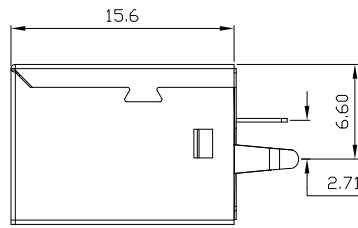
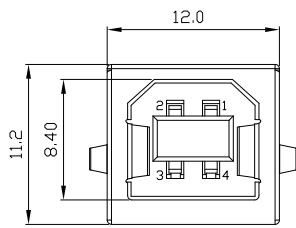
SUA-110M1



PCB EDGE
SUGGESTED PCB LAYOUT
TOP VIEW

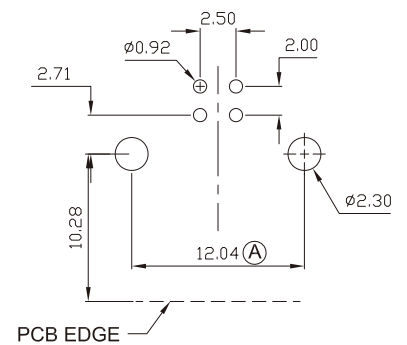
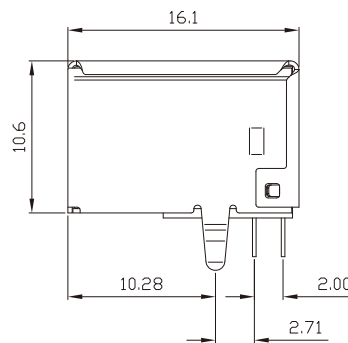
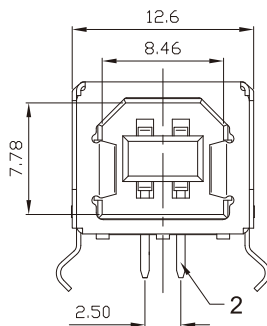
USB B Type

SUB-110P



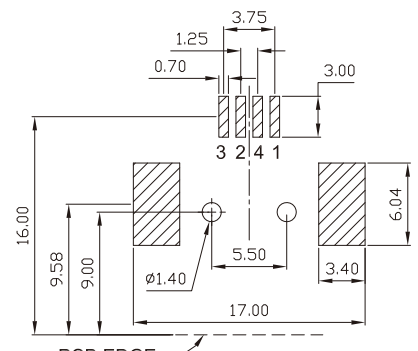
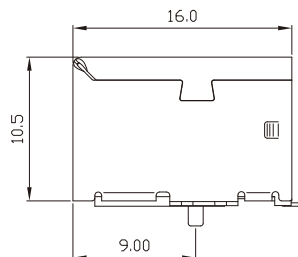
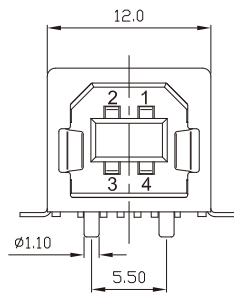
SUGGESTED PCB LAYOUT
TOP VIEW

SUB-110H



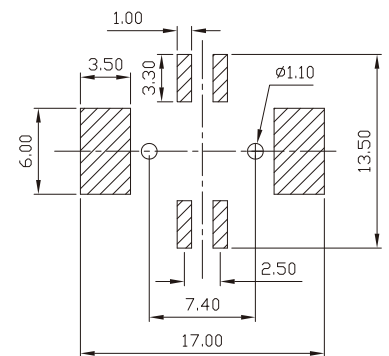
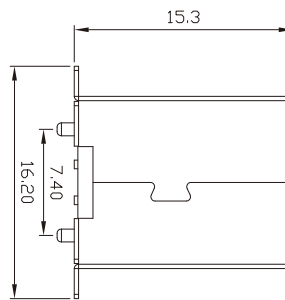
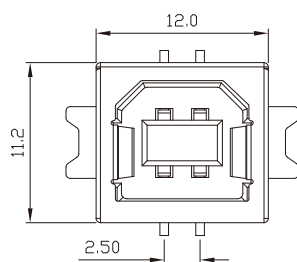
PCB EDGE
SUGGESTED PCB LAYOUT
TOP VIEW

SUB-110M



PCB EDGE
SUGGESTED PCB LAYOUT
TOP VIEW

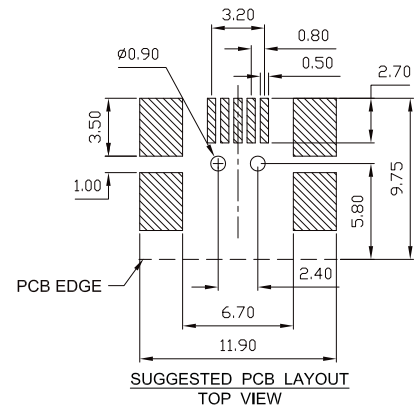
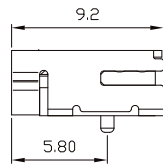
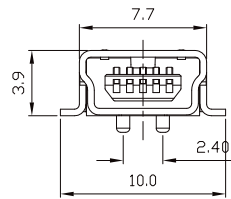
SUB-110PM



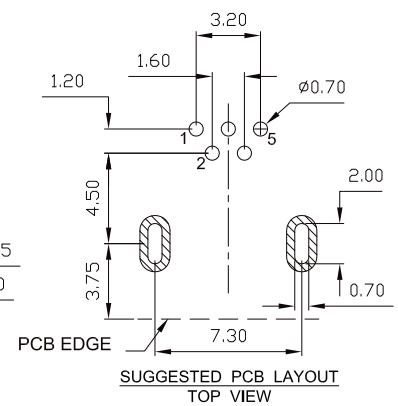
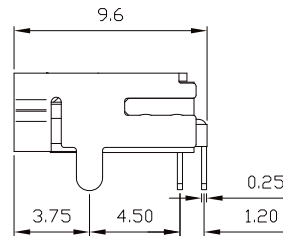
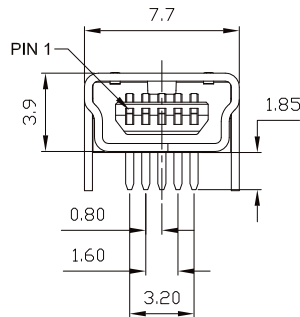
SUGGESTED PCB LAYOUT
TOP VIEW

Mini USB

SUA-120M



SUA-120D



SUA-120P



SUA-130M

